

SUTTON MANOR

L5631-AGB/CCS

Characterized by a rich ombre finish, Sutton Manor is a serene interpretation of a classic table lamp silhouette. The elongated shape of the ceramic base is balanced by a large tapered white linen drum shade. Finished with Aged Brass hardware, this timeless treasure fits seamlessly in modern or contemporary interiors.

FINISHES

AGED BRASS w/ CERAMIC CREAM SHADOW

Coastal Suitable Finish (EPM): No

DIMENSIONS

Height: 31"

Width/Diameter: 19"

Canopy/Backplate: 9.75"

Product Weight: 28.6lb

Canopy/Backplate Shape: Round

Sloped Ceiling Compatible: No

Living Finish: No

Uplight Only: No

Shade

Shade 1: Linen

Shade 1 Finish: White

Shade 1 Top Width: 15.5"

Shade 1 Bottom L/W: 0" / 19"

Shade 1 Height: 11.5"

Shade 2: Linen

Shade 2 Finish: White

Shade 2 Top Width: 14.5"

ELECTRICAL



Bulb 1

Bulb Included: No

Socket: E26 Medium Base

Bulb Type: A19

Max Wattage: 15

Bulb Quantity: 1

Bulb Included: No

Wire Length: 120"

Cord Type: SPT-2 BLACK FABRIC

Switch Type: FULL RANGE DIMMER ON
SOCKET

Gem Box Required (2"x3"): No

Dark Sky: No

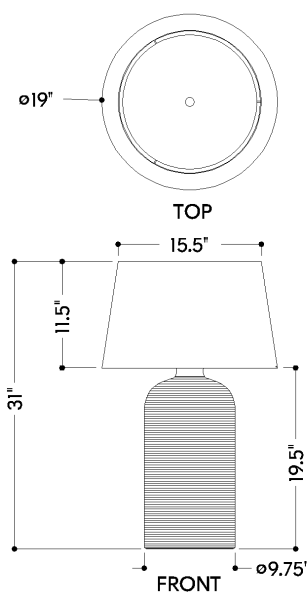
SHIPPING

Carton 1: 32" x 24" x 24"

Carton 1 Weight: 40lb

Shipping Method: Ground

Country of Origin: PH



HUDSON VALLEY
LIGHTING GROUP

| hvlgroup.com | 1.800.814.3993